

# BAUER MC 86

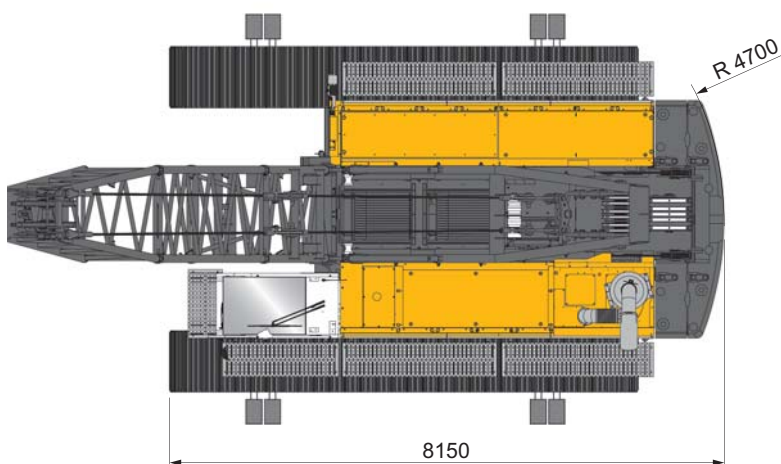
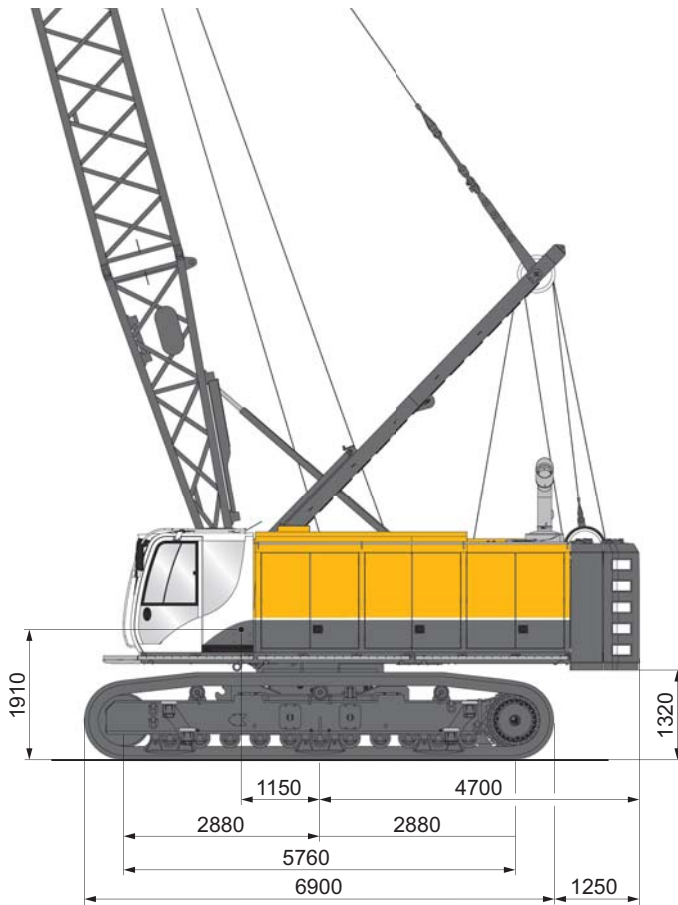
## Duty-Cycle Crane

MC Line

 Energy-Efficient  
Power **EEP**



## Dimensions of Base Machine



### Operating Weight

with HD undercarriage, 900 mm track shoes, upper carriage with 2 hoist winches and wire ropes, operating equipment 25 t standard counterweight, 18.4 m basic boom including A-frame, boom hoist, roller block, hoist rope, boom bottom piece, 6 m boom insert, boom top, guy ropes and roller head, 100 t hook block

**Total weight**

**approx. 105 t**

Engine	
CAT diesel engine	C18
Nominal output	570 kW
Operating speed	1,850 rpm
Diesel tank volume	1,250 l
Exhaust emission standard	EPA/CARB TIER 2
Optional:	
CAT diesel engine	C18
Nominal output	563 kW
Operating speed	1850 rpm
Diesel tank volume	1,250 l
Exhaust emission standard	EPA/CARB TIER 4 final

**Hydraulic System**  
 Modern, high-performance hydraulic system with energy-saving flow control on demand and power management system in multiple-circuit technology

Flow Rates	
Main circuits for duty-cycle applications	2 x 430 l/min
Main winch circuits	2 x 400 l/min
Additional circuit	1 x 328 l/min
Swing-gear circuit	1 x 204 l/min
Hydraulic pressure	320 bar
Hydraulic tank capacity	1,000 l

- Closed circuits for the main winches
- Open hydraulic circuits for additional consumers (optional)
- Closed hydraulic system for slewing gear
- Additional gear pumps for cooling and control systems
- Electro-hydraulic pilot control
- Cleaning of the hydraulic oil by means of large-dimensioned return oil filters, leak oil filters and pressure filters in the pilot control system
- Cooling system with high power reserves for working under permanent load even when subjected to unfavorable climatic conditions

**Swing Gear**  
 Slew ring driven by axial piston motor and planetary gear

- Slewing and dynamic braking in closed circuit for sensitive control
- Rotational speed can be pre-selected in stages up to 3 rpm
- Hydraulically activated multiple disk holding brake
- Extra large slewing ring, externally toothed
- Low-maintenance slew gear

**Load Hoist Assemblies**

Low-maintenance, compact duty-cycle crane winches, powered by controlled hydraulic adjustable motors via integrated planetary gears

	Hoisting Winch	Free-fall Winch
Main winch 1	250 kN	300 kN
Main winch 2	250 kN	300 kN
Rope capacity Layer 1	50 m	38 m
Layer 1 - 2	112 m	87 m
Layer 1 - 3	178 m	139 m
Layer 1 - 4		195 m
Rope diameter	32 mm	34 mm
Drum diameter	800 mm	760 mm
Max. rope speed	94.3 m/min	103 m/min

**Boom Hoist Assembly**

Adjustment via winch	
Line pull of boom hoist winch	approx. 120 kN
Rope diameter	22 mm

**Upper Carriage**

Modular, torsion-resistant, precision welded construction, designed for high continuous load, pre-equipped for additional applications

- Variable counterweight concept, simple mounting/removal system for easy transport
- 4 headlights distributed on the upper carriage
- Walkways to the front and side of the cab
- Excellent accessibility of all major components for service procedures

Standard counterweight: 2-part	2 x 12.5 t
Additional counterweight	5.0 t
Add-on counterweight: 2-part	max. 4 x 2.5 t
Max. counterweight with central ballast	40.0 t + 4.0 t

**Undercarriage**

Rigid fully hydraulic crawler undercarriage with adjustable tracks

- 4 access ladders on the crawler, either mountable on the inside or on the outside

Type	UW 120 BC
Travel speed	approx. 1.25 km/h
Crawler type	B 8 B
Track shoe width	900 mm
Track width (retracted/extended)	2,600/4,160 mm
Crawler width (retracted/extended)	3,500/5,060 mm
Crawler length	6,910 mm

## Control System

- Programmable microprocessor control system (PLC) with electro-proportional control for high adaptable operation
- Clearly arranged control panel for rig functions, located to the right-hand side of the operator's seat
- B-Tronic (electronic control, monitoring and visualization system)
  - Large, bright and non-glare LCD color display
  - Clearly arranged display of the relevant machine and process parameters
  - Optimum positioning of the screen thanks to an individual adjustment system
- Two joysticks on the operator's seat for all functions or double-T control lever for rope grab operation
- Two foot pedals for controlling the crawler

## Boom

Robust tubular lattice boom with thick walled boom tubes, specifically designed for applications in specialist foundation engineering where high dynamic loads occur

- Basic boom consists of an A-frame, hoist winch, hoist rope, boom butt
- The boom is designed for use with Bauer hose drum systems
- Boom extensions and boom head according to the application

## Operator's Cab

- Comfort cab, FOPS-certified
- Resiliently mounted, with exceptional sound suppression
- Excellent all-round visibility
- All weather design with safety glass
- Front windshield made of laminated safety glass
- Tinted glass (except front windshield)
- Sliding door with sliding window
- Large skylight window (bullet-proof glass)
- Wiper/washer system for front windshield and skylight
- Sun-blind
- Comfortable, mechanically sprung operator's seat
  - Weight and height adjustable
  - Inclination adjustment
  - Horizontally adjustable
  - Headrest and adjustable armrests
- Infinitely variable cab heating system
- Air conditioning system
- First aid box on the operator's seat
- Radio with CD player in the operator's cab

## Energy-Efficient Power EEP

The EEP package contains the following modifications:

- Variable and intelligent cooler and fan control
- Reduction in flow rate losses as a result of optimized hydraulic components
- Smart ECO mode of the diesel engine
- Closed hydraulic circuits for main winch operation

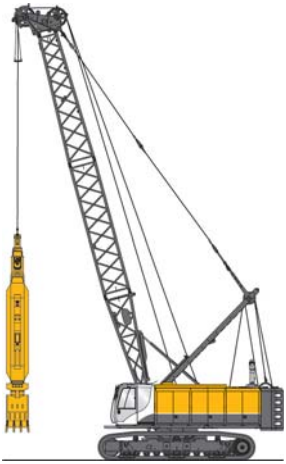


## Optional Equipment

- Rope pressure rollers for main winches
- Tensile load measurement via redundant load measuring sockets
- Winch synchronization for main winches
- Electronic load moment limitation for hoisting device operation, user interface (integrated in B-Tronic)
- Different roller heads for various applications
- Front windshield can be fully retracted underneath the cab roof
- Set of ropes for different applications
- Hydraulic and electronic equipment kits for various applications such as cutting systems, two rope grabs, hanging leaders, hydraulic hammers, depth vibrators and rotary heads
- Quick connection system for the crawlers with hydraulic quick couplings, assembling tool and lifting gear
- Rope pulling-in winch
- Fully hydraulic cylinders for self-lowering and mounting counterweights, individually controllable
- Automatic climate control
- Cab heater with timer
- Electric fuel pump for diesel tank
- Aircraft warning light
- Wind gauge
- Bauer GCS (data acquisition system for hydraulic grabs)
- Central lubrication system
- Additional counterweight for various types of application
- Adapter on undercarriage for Bauer casing oscillator
- Camera system with on-screen display in the cab
- Walkways on both sides of the upper carriage
- Access ladder to the roof of the upper carriage
- Stone guard
- Special coating available on customer request
- Sun protection systems for various types of application
- Fly jib
- Working at height system for boom walkway (patented)
- Hydraulic counterweight safety device
- On top handrails – upper carriage
- Working at height package with handrails
- Swing angle indicator
- Swing angle limitation
- Boom angle limitation
- Monitored rope anchorage with overload protection (patented)
- Muffler kit
- Cooling package
- Additional air conditioning system
- Fire extinguishing system
- DTR module
- High-pressure cleaner
- Rear frame for additional power packs

## Duty-Cycle Crane Operation

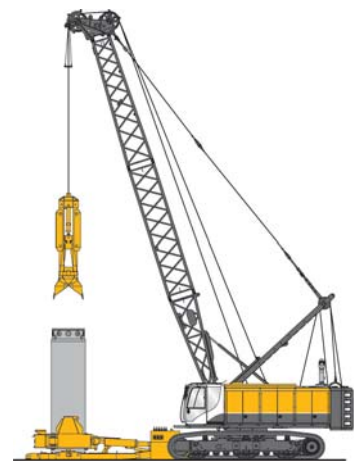
for two-rope grab operation with mechanical grabs



**Diaphragm wall grab**



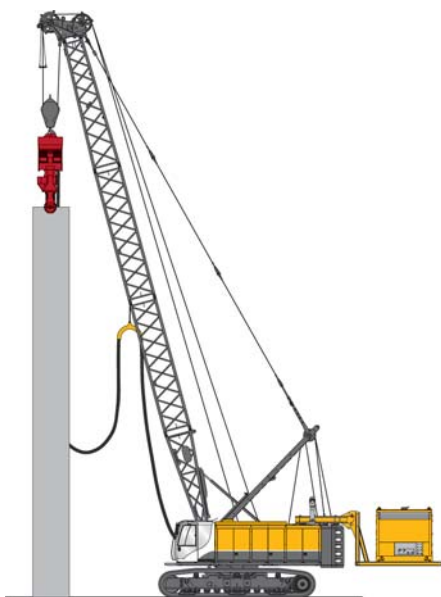
**Two-rope grab**



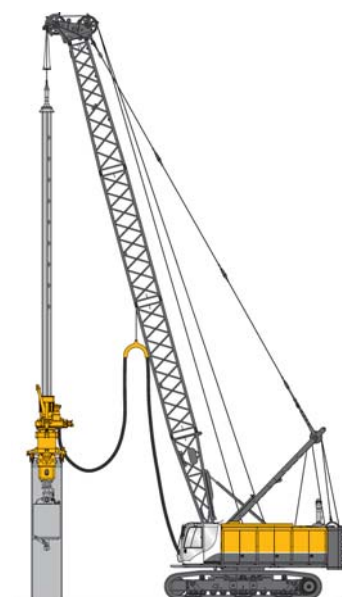
**Grab and casing oscillator**

## Base Machine

- for hydraulic diaphragm wall grab, together with hydraulic hose drum system and grab turning device
- for cased bored piles in combination with a grab and a casing oscillator
- for Bauer depth vibrator TR 75 with hydraulic power supplied via the on-board hydraulic system
- for various vibratory pile drivers with power pack at the rear (power pack optional)
- for Bauer cutters with various hose drum systems
- for Bauer Flydrill with hydraulic power supplied via the on-board hydraulic system



**Vibratory pile driver with power pack**



**Flydrill**

## Duty-Cycle Crane Operation – Load Chart

Boom lengths from 18.4 m to 33.4 m, 300 kN winch, loads in t

Operating radius r (m)	with 25 t counterweight						with 30 t counterweight						with 35 t counterweight + 4 t central ballast					
	18.4		21.4		24.4		27.4		30.4		33.4							
6.0	45.0	45.0	45.0	45.0	45.0	45.0	45.0	45.0	45.0	45.0	45.0	45.0	45.0	45.0	45.0	45.0	45.0	45.0
7.0	45.0	45.0	45.0	45.0	45.0	45.0	45.0	45.0	45.0	45.0	45.0	45.0	44.4	45.0	45.0	43.6	44.9	44.9
8.0	38.5	42.6	45.0	37.9	42.0	45.0	37.3	41.4	45.0	36.6	40.7	45.0	35.9	40.0	45.0	35.2	39.3	41.0
9.0	32.3	35.8	40.2	31.8	35.3	39.7	31.2	34.7	39.1	30.6	34.1	38.5	30.0	33.4	37.9	29.3	32.8	37.2
10.0	27.7	30.7	34.5	27.2	30.2	34.1	26.7	29.7	33.6	26.1	29.2	33.0	25.5	28.6	32.4	24.9	28.0	31.8
11.0	24.1	26.8	30.0	23.7	26.4	29.8	23.2	25.9	29.3	22.6	25.3	28.8	22.1	24.8	28.2	21.5	24.2	27.6
12.0	21.3	23.7	26.7	20.9	23.3	26.3	20.4	22.8	25.9	19.9	22.3	25.4	19.3	21.8	24.8	18.8	21.2	24.3
13.0	19.0	21.2	24.0	18.6	20.8	23.5	18.1	20.3	23.1	17.6	19.8	22.6	17.1	19.3	22.1	16.6	18.8	21.6
14.0	17.1	19.1	21.6	16.6	18.7	21.2	16.2	18.2	20.8	15.7	17.8	20.3	15.3	17.3	19.8	14.7	16.8	19.3
15.0	15.4	17.3	19.7	15.0	16.9	19.3	14.6	16.5	18.8	14.2	16.0	18.4	13.7	15.5	17.9	13.2	15.1	17.4
16.0	14.1	15.8	18.0	13.7	15.4	17.6	13.3	15.0	17.2	12.8	14.5	16.7	12.4	14.1	16.3	11.9	13.6	15.8
17.0				12.5	14.1	16.1	12.1	13.7	15.7	11.6	13.2	15.3	11.2	12.8	14.8	10.7	12.3	14.4
18.0				11.4	12.9	14.8	11.1	12.6	14.5	10.6	12.1	14.0	10.2	11.7	13.6	9.7	11.2	13.1
19.0				10.5	11.9	13.7	10.1	11.6	13.4	9.7	11.1	12.9	9.3	10.7	12.5	8.8	10.3	12.1
20.0				9.7	11.0	12.7	9.3	10.7	12.4	8.9	10.3	12.0	8.5	9.8	11.5	8.1	9.4	11.1
21.0							8.6	9.9	11.5	8.2	9.5	11.1	7.8	9.1	10.7	7.4	8.6	10.2
22.0							8.0	9.2	10.7	7.6	8.8	10.3	7.2	8.4	9.9	6.7	7.9	9.5
23.0							7.4	8.5	10.0	7.0	8.1	9.6	6.6	7.7	9.2	6.2	7.3	8.8

### Notes:

1. The specified loads are maximum values and must not be exceeded.
2. The rated loads are valid for a planar, firm plane.
3. The rated loads are valid for a 360° swing angle.
4. The rated loads are valid for maximum undercarriage track width.
5. The rated loads do not exceed 75 % of the tipping load.
6. The weights of lifting accessories and ropes are part of the permissible total load.
7. When lifting loads that exceed the maximum pulling force of a winch, it must be ensured that no single winch is overloaded.
8. During operation with a mechanical two-rope grab, the maximum pulling force of a single winch – considering the rope layer – must not be exceeded.
9. The specified values are for information purposes only. The actual values can be found in the documentation supplied with the machine.

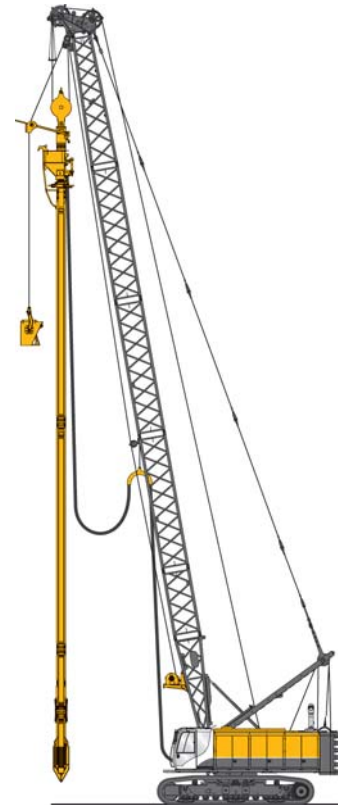
## Flying Vibro

35 t counterweight + 4 t central ballast, main winch 300 kN single reeved (double strand) over masthead

Boom length (m)	Penetration depth (m)	Radius (m)
24.4	15	8 - 10
30.4	20	8 - 10
33.4	25	8 - 10

### Notes:

1. The rated loads are valid for a planar, firm plane.
2. The rated loads are valid for a 360° swing angle.
3. The rated loads are valid for maximum undercarriage track width.
4. When the depth vibrator is not being used, it is to be placed on the ground.
5. The specified values are for information purposes only. The actual values can be found in the documentation supplied with the machine.



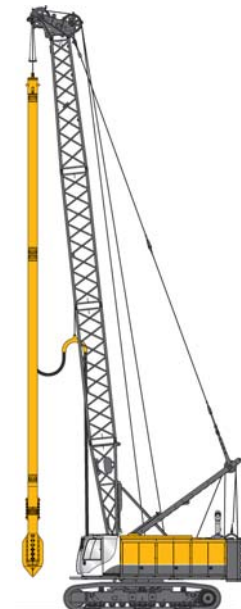
## Equipment with Depth Vibrator TR 75 – RDV

30 t counterweight, main winch 250 kN single reeved (double strand) over masthead

Penetration depth (m)	Weight TR (kg)	Boom length (m)									
		21.4		24.4		27.4		30.4		33.4	
Max. permissible operating radius (m)** – boom angle (°)											
		(m)	(°)	(m)	(°)	(m)	(°)	(m)	(°)	(m)	(°)
15.2	7,250	9.2*	70	12.8	63	12.9	66	12.1	70	12.1	72
18.7	8,120			8.1*	63	11.6	69	11.2	72	11.1	74
21.7	8,860					9.8*	73	10.7	73	10.5	75
24.7	9,610							10.2*	74	9.9	76
27.2	10,725									8.8	78

### Notes:

1. The rated loads are valid for a planar, firm plane.
2. The rated loads are valid for a 360° swing angle.
3. The rated loads are valid for maximum undercarriage track width.
4. When the depth vibrator is not being used, it is to be placed on the ground.
5. The specified values are for information purposes only. The actual values can be found in the documentation supplied with the machine.



\* with active pulling force limitation / monitoring in conjunction with operating radius display

\*\* max. operating radius limited by vibrator length / boom length



## DHG Operation – Load Chart

Boom length 18.4 m, 300 kN winch, loads in t

Operating radius r (m)	Load with	
	25 t counterweight	30 t counterweight
4.2	25.0	33.0 (35.0*)
4.5	25.0	33.0 (35.0*)
5.0	25.0	33.0
5.5	25.0	31.8
6.0	25.0	29.1
6.5	25.0	26.9
7.0	23.2	25.0

### Notes:

1. The rated loads are valid for a planar, firm plane.
2. The rated loads are valid for a 360° swing angle.
3. The rated loads are valid for maximum undercarriage track width.
4. The rated loads do not exceed 75% of the tipping load.
5. The weights of lifting accessories and ropes are part of the permissible total load.
6. Values designated with an \* are valid for grabs suspended via a rope sheave.
7. The specified values are for information purposes only. The actual values can be found in the documentation supplied with the machine.



**Hydraulic grab DHG  
with hose drum system HDSG 50/HDSG 80**

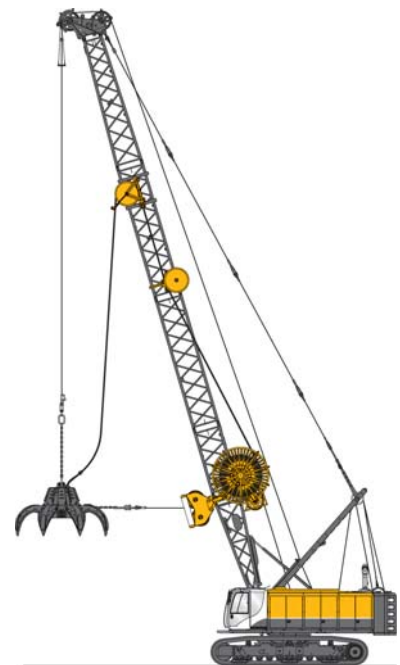
## MHG Operation with Hoisting Rope and Holding Rope – Load Chart

30 t counterweight, boom length 27.4 m, 250 kN winch, loads in t

Operating radius r (m)	Load with 25 t counterweight
6.0	25.0
8.0	25.0
10.0	19.0
12.0	12.0
14.0	9.4
16.0	9.0

### Notes:

1. The rated loads are valid for a planar, firm plane.
2. The rated loads are valid for a 360° swing angle.
3. The rated loads are valid for maximum undercarriage track width.
4. The rated loads do not exceed 66 % of the tipping load.
5. The weights of lifting accessories and ropes are part of the permissible total load.
6. The hose drum system is designed for a grabbing depth of 20 m under the working platform.
7. The specified values are for information purposes only. The actual values can be found in the documentation supplied with the machine.



**Hydraulic grab MHG  
with hose drum system HDSG**

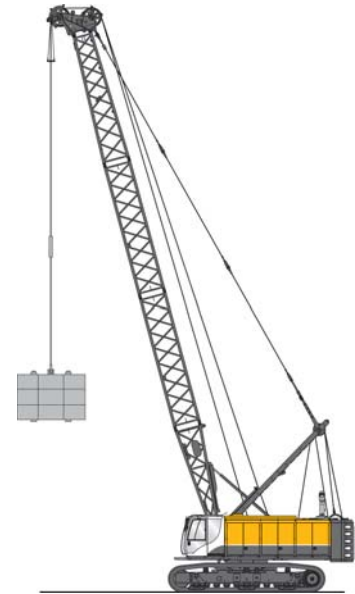
## Bauer Dynamic Compaction (BDC) – Load Chart

30 t counterweight, boom lengths from 21.4 m to 36.4 m, 300 kN winch, loads in t

Operating radius r (m)	Boom length (m)					
	21.4	24.4	27.4	30.4	33.4	36.4
8	36.5	34.5	32.5	30.5	29.5	28.5
9	35.0	33.0	31.0	29.0	28.0	27.0
10	31.7	31.4	30.0	28.0	27.0	26.0
11	27.6	27.3	27.0	26.6	26.0	25.0
12	24.4	24.1	23.8	23.4	23.0	22.6

### Notes:

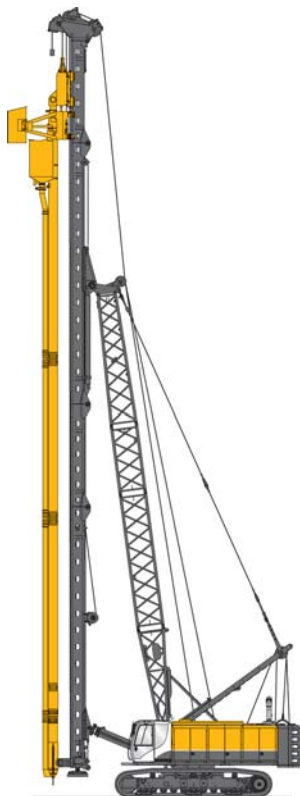
1. The rated loads are valid for a planar, firm plane.
2. The rated loads are valid for a 360° swing angle.
3. The rated loads are valid for maximum undercarriage track width.
4. The rated loads do not exceed 75 % of the tipping load.
5. The weights of lifting accessories and ropes are part of the permissible total load.
6. The specified values are for information purposes only. The actual values can be found in the documentation supplied with the machine.



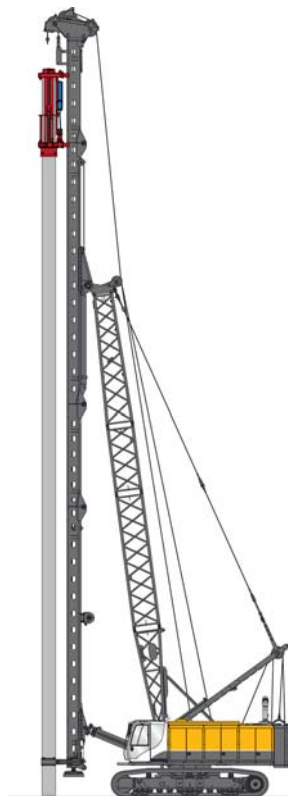
Bauer Dynamic Compaction (BDC)

## Equipment for Leader-guided Methods with 35 BL

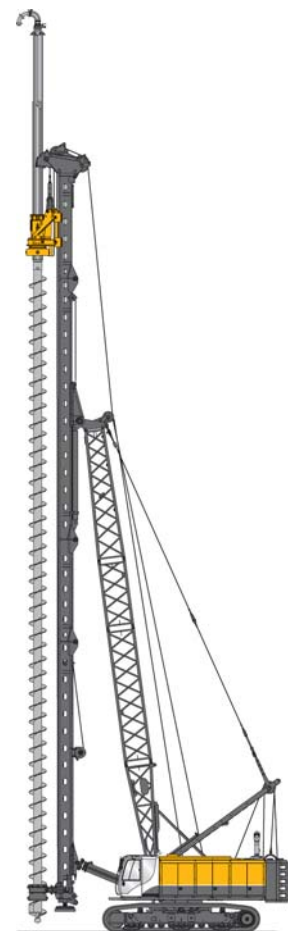
The above processes may require partial retrofit kits as well as additional optional equipment.



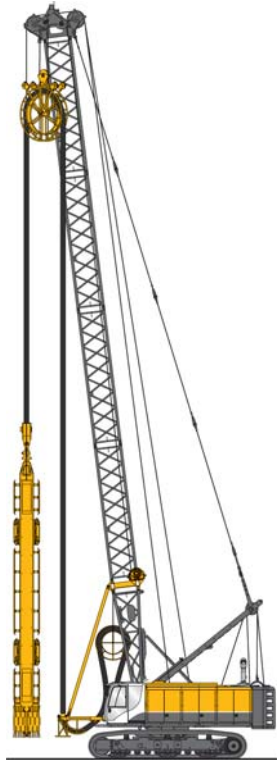
Bauer depth vibrator



Hammer mode



CFA



**Hose Tensioning System HTS**

**HTS 38**

Cutting depth, max. 38 m  
Load 40 t

**HTS 50**

Cutting depth, max. 50 m  
Load 35 t



**Hose Drum System HDS**

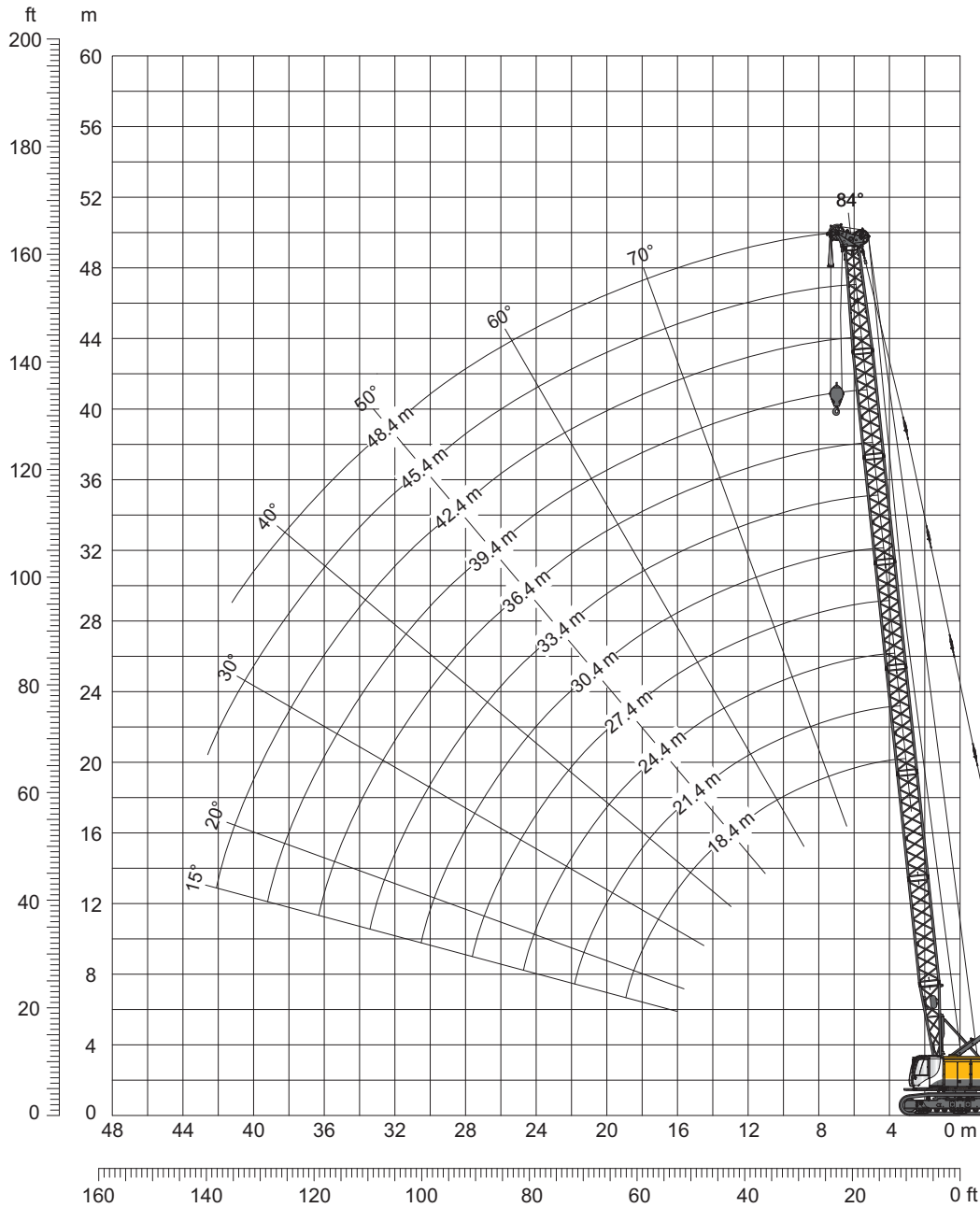
**HDS 100**

Cutting depth, max. 100 m  
Load 45 t

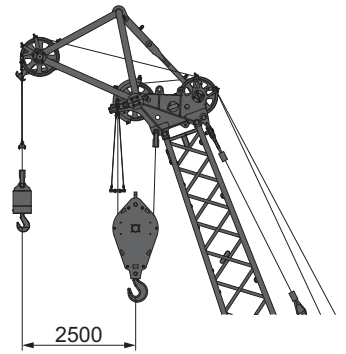
**Notes:**

1. The rated loads are valid for a planar, firm plane.
2. The rated loads are valid for a 360° swing angle.
3. The rated loads are valid for maximum undercarriage track width.
4. The rated loads do not exceed 75 % of the tipping load.
5. A wind speed of 20 m/s is taken into account.
6. A rotation moment (speed of upper carriage: 1 rpm) is taken into account.
7. When the machine is not in operation it must stand on planar, firm ground and the cutter must be placed on the ground.
8. The total weight of the cutter includes the cutter itself, the guide frame and the pulley block.
9. The specified values are for information purposes only. The actual values can be found in the documentation supplied with the machine.

## Lifting Operation



### Auxiliary Jib



The optional auxiliary jib is designed for single strand operation up to max. 35 t. Conditions for lifting operations apply for rated loads.

### Boom Configurations

	Length (m)	Boom total length (m)										
		18.4	21.4	24.4	27.4	30.4	33.4	36.4	39.4	42.4	45.4	48.4
Boom butt	5.6	1	1	1	1	1	1	1	1	1	1	1
Boom section	3.0		1		1		1		1		1	
Boom section	6.0	1	1	2	2	3	3	4	4	5	5	6
Boom top	5.9	1	1	1	1	1	1	1	1	1	1	1
Roller head	0.9	1	1	1	1	1	1	1	1	1	1	1

## Lifting Operation – Load Chart

30 t counterweight, boom lengths from 18.4 m to 45.4 m, 300 kN winches, loads in t

Operating radius r (m)	Boom length (m)									
	18.4	21.4	24.4	27.4	30.4	33.4	36.4	39.4	42.4	45.4
3.8	110.0									
4.0	106.6									
4.1		93.2								
4.4			84.5							
4.8				74.2						
5.0	82.0	77.7	73.7	70.1	65.9					
5.4						58.8				
5.7							45.0			
6.0	65.6	62.6	59.8	57.2	54.8	52.4	44.0	40.2		
6.3									36.1	
6.6										32.3
7.0	54.4	52.1	50.1	48.0	46.2	44.3	40.9	37.4	34.5	31.2
8.0	46.3	44.5	42.9	41.2	39.7	38.2	36.8	34.8	32.2	28.4
9.0	38.9	38.7	37.3	35.9	34.7	33.4	32.2	31.0	29.9	25.8
10.0	33.4	33.2	32.9	31.7	30.7	29.5	28.5	27.4	26.5	23.6
11.0	29.1	28.9	28.7	28.3	27.4	26.3	25.4	24.5	23.6	22.0
12.0	25.6	25.4	25.3	25.0	24.6	23.7	22.9	22.0	21.2	20.3
13.0	22.8	22.6	22.5	22.2	22.0	21.4	20.7	19.8	19.1	18.3
14.0	20.5	20.3	20.1	19.8	19.6	19.3	18.8	18.0	17.3	16.6
15.0	18.5	18.3	18.1	17.9	17.7	17.4	17.1	16.4	15.7	15.0
16.0	16.8	16.6	16.5	16.2	16.0	15.7	15.4	14.9	14.4	13.7
17.0	15.3	15.1	15.0	14.7	14.5	14.2	13.9	13.6	13.1	12.5
18.0	14.0	13.8	13.7	13.4	13.2	12.9	12.7	12.3	12.0	11.4
19.0	12.8	12.7	12.6	12.3	12.1	11.8	11.5	11.2	10.9	10.4
20.0		11.7	11.5	11.3	11.1	10.8	10.5	10.2	9.9	9.5
21.0		10.7	10.6	10.4	10.2	9.9	9.6	9.3	9.0	8.7
22.0		9.9	9.8	9.5	9.3	9.0	8.8	8.4	8.2	7.8
23.0			9.1	8.8	8.6	8.3	8.1	7.7	7.5	7.1
24.0			8.4	8.1	7.9	7.6	7.4	7.0	6.8	6.4
25.0				7.5	7.3	7.0	6.8	6.4	6.2	5.8
26.0				6.9	6.8	6.5	6.2	5.9	5.6	5.3
27.0				6.4	6.2	5.9	5.7	5.3	5.1	4.7
28.0					5.7	5.4	5.2	4.9	4.6	4.3
29.0					5.3	5.0	4.8	4.4	4.2	3.8
30.0					4.8	4.6	4.4	4.0	3.8	3.4
31.0						4.2	4.0	3.6	3.4	3.0
32.0						3.8	3.6	3.3	3.0	2.7
33.0						3.5	3.3	2.9	2.7	2.3
34.0							2.9	2.6	2.4	2.0
35.0							2.6	2.3	2.1	1.7
36.0							2.3	2.0	1.8	1.4
37.0								1.7	1.5	1.2
38.0								1.5	1.3	
39.0								1.2	1.0	

### Notes:

- The rated loads are determined acc. to EN 13000.
- The rated loads are valid for a planar, firm plane.
- The rated loads are valid for a 360° swing angle.
- The rated loads are valid for maximum undercarriage track width.
- Steel structures are designed acc. to EN 13001.
- The weights of lifting accessories and ropes are part of the permissible total load.
- When travelling with a load, the rated load must be reduced.
- The specified values are for information purposes only. The actual values can be found in the documentation supplied with the machine.

# Applications

## Lifting Operation – Load Chart

35 t counterweight + 4 t central ballast, boom lengths from 18.4 m to 48.4 m, 300 kN winches, loads in t

Operating radius r (m)	Boom length (m)										
	18.4	21.4	24.4	27.4	30.4	33.4	36.4	39.4	42.4	45.4	48.4
3.8	110.0										
4.0	104.5										
4.1		93.0									
4.4			93.0								
4.8				82.1							
5.0	79.5	85.8	82.1	78.1	68.4						
5.4						59.7					
5.7							44.9				
6.0	67.2	69.8	66.7	63.8	58.0	54.3	43.9	40.2			
6.3									36.1		
6.6										32.3	
6.9											28.9
7.0	60.7	58.2	56.0	53.7	49.1	46.4	40.7	37.4	34.5	31.2	28.8
8.0	51.7	49.8	48.0	46.2	44.0	40.7	37.8	34.8	32.2	28.4	26.3
9.0	43.7	43.3	41.9	40.4	39.0	37.5	35.4	32.5	29.9	25.8	24.0
10.0	37.5	37.3	37.0	35.7	34.6	33.3	32.3	30.5	27.6	23.6	21.9
11.0	32.7	32.5	32.4	31.9	30.9	29.8	28.9	27.8	25.4	22.0	20.2
12.0	28.9	28.7	28.5	28.3	27.8	26.9	26.0	25.1	23.4	20.7	18.9
13.0	25.8	25.6	25.4	25.2	25.0	24.4	23.6	22.7	21.8	19.7	17.8
14.0	23.2	23.0	22.8	22.6	22.4	22.1	21.5	20.7	19.9	18.7	16.9
15.0	21.0	20.8	20.7	20.4	20.2	19.9	19.6	18.9	18.2	17.5	16.0
16.0	19.1	18.9	18.8	18.5	18.3	18.0	17.7	17.3	16.7	16.0	15.1
17.0	17.5	17.3	17.2	16.9	16.7	16.3	16.1	15.8	15.3	14.6	14.1
18.0	16.0	15.9	15.7	15.5	15.2	14.9	14.7	14.4	14.1	13.4	12.9
19.0	14.7	14.6	14.5	14.2	14.0	13.7	13.4	13.1	12.8	12.4	11.8
20.0		13.5	13.4	13.1	12.9	12.6	12.3	12.0	11.7	11.4	10.9
21.0		12.4	12.3	12.1	11.9	11.6	11.3	11.0	10.7	10.4	10.0
22.0		11.5	11.4	11.2	11.0	10.7	10.4	10.1	9.8	9.5	9.2
23.0			10.6	10.4	10.2	9.8	9.6	9.3	9.0	8.6	8.4
24.0			9.8	9.6	9.4	9.1	8.9	8.5	8.3	7.9	7.7
25.0				8.9	8.7	8.4	8.2	7.8	7.6	7.2	7.0
26.0				8.3	8.1	7.8	7.6	7.2	7.0	6.6	6.4
27.0				7.7	7.5	7.2	7.0	6.6	6.4	6.0	5.8
28.0					7.0	6.7	6.5	6.1	5.9	5.5	5.2
29.0					6.5	6.2	6.0	5.6	5.4	5.0	4.8
30.0					6.0	5.7	5.5	5.2	4.9	4.6	4.3
31.0						5.3	5.1	4.7	4.5	4.1	3.9
32.0						4.9	4.7	4.3	4.1	3.7	3.5
33.0						4.5	4.3	4.0	3.7	3.4	3.1
34.0							3.9	3.6	3.4	3.0	2.8
35.0							3.6	3.3	3.0	2.7	2.4
36.0							3.3	3.0	2.7	2.4	2.1
37.0								2.7	2.4	2.1	1.8
38.0								2.4	2.2	1.8	1.6
39.0								2.1	1.9	1.5	1.3
40.0									1.6	1.3	1.0

### Notes:

- The rated loads are determined acc. to EN 13000.
- The rated loads are valid for a planar, firm plane.
- The rated loads are valid for a 360° swing angle.
- The rated loads are valid for maximum undercarriage track width.
- Steel structures are designed acc. to EN 13001.
- The weights of lifting accessories and ropes are part of the permissible total load.
- When travelling with a load, the rated load must be reduced.
- The specified values are for information purposes only. The actual values can be found in the documentation supplied with the machine.

## Lifting Operation – Load Chart

40 t counterweight + 4 t central ballast, boom lengths from 24.4 m to 48.4 m, 300 kN winches, loads in t

Operating radius r (m)	Boom length (m)								
	24.4	27.4	30.4	33.4	36.4	39.4	42.4	45.4	48.4
4.4	93.9								
4.8		81.8							
5.0	86.5	79.7	68.5						
5.4				60.0					
5.7					45.0				
6.0	72.1	69.0	58.2	54.6	44.0	41.7			
6.3							36.0		
6.6								32.1	
6.9									28.8
7.0	60.5	58.2	49.3	46.6	40.9	38.8	34.4	31.0	28.6
8.0	52.0	50.1	44.1	40.9	38.0	36.0	32.1	28.2	26.1
9.0	45.4	43.8	41.7	37.7	35.5	33.6	29.8	25.7	23.8
10.0	40.2	38.8	37.6	36.0	33.3	31.5	27.5	23.5	21.7
11.0	35.2	34.7	33.7	32.5	31.2	29.6	25.3	21.9	20.0
12.0	31.1	30.9	30.4	29.4	28.4	27.5	23.2	20.6	18.7
13.0	27.8	27.5	27.3	26.7	25.8	24.9	21.6	19.5	17.6
14.0	25.0	24.7	24.5	24.2	23.6	22.7	20.2	18.5	16.7
15.0	22.6	22.4	22.1	21.8	21.6	20.8	19.2	17.5	15.7
16.0	20.6	20.3	20.1	19.8	19.6	19.1	18.2	16.4	14.8
17.0	18.9	18.6	18.4	18.1	17.8	17.5	17.0	15.4	13.9
18.0	17.3	17.1	16.8	16.5	16.3	16.0	15.7	14.5	13.0
19.0	16.0	15.7	15.5	15.2	14.9	14.6	14.4	13.7	12.2
20.0	14.8	14.5	14.3	14.0	13.7	13.4	13.1	12.8	11.5
21.0	13.7	13.4	13.2	12.9	12.7	12.3	12.1	11.7	10.9
22.0	12.7	12.4	12.2	11.9	11.7	11.3	11.1	10.7	10.3
23.0	11.8	11.6	11.4	11.0	10.8	10.5	10.2	9.9	9.6
24.0	11.0	10.8	10.6	10.3	10.0	9.7	9.4	9.1	8.8
25.0		10.0	9.8	9.5	9.3	8.9	8.7	8.3	8.1
26.0		9.3	9.2	8.9	8.6	8.3	8.0	7.7	7.4
27.0		8.7	8.5	8.2	8.0	7.7	7.4	7.1	6.8
28.0			8.0	7.7	7.4	7.1	6.8	6.5	6.2
29.0			7.4	7.1	6.9	6.6	6.3	6.0	5.7
30.0			6.9	6.6	6.4	6.1	5.8	5.5	5.2
31.0				6.2	6.0	5.6	5.4	5.0	4.8
32.0				5.7	5.5	5.2	4.9	4.6	4.3
33.0				5.3	5.1	4.8	4.5	4.2	3.9
34.0					4.7	4.4	4.2	3.8	3.6
35.0					4.4	4.0	3.8	3.5	3.2
36.0					4.0	3.7	3.5	3.1	2.9
37.0						3.4	3.2	2.8	2.6
38.0						3.1	2.9	2.5	2.3
39.0						2.8	2.6	2.2	2.0
40.0							2.3	2.0	1.7

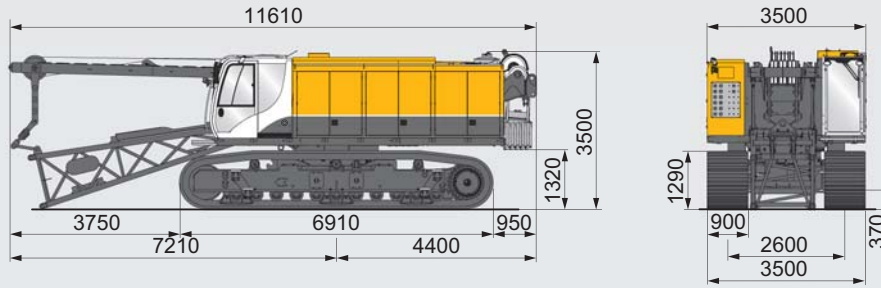
### Notes:

- The rated loads are determined acc. to EN 13000.
- The rated loads are valid for a planar, firm plane.
- The rated loads are valid for a 360° swing angle.
- The rated loads are valid for maximum undercarriage track width.
- Steel structures are designed acc. to EN 13001.
- The weights of lifting accessories and ropes are part of the permissible total load.
- When travelling with a load, the rated load must be reduced.
- The specified values are for information purposes only. The actual values can be found in the documentation supplied with the machine.

## Transport – Dimensions and Weights

### Base Machine

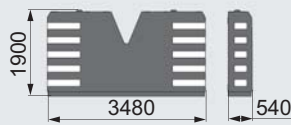
**G = 74.5 t**



### Counterweights

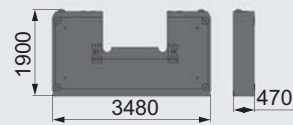
#### Standard Counterweight 1

**G = 12.5 t**



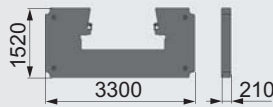
#### Standard Counterweight 2

**G = 12.5 t**



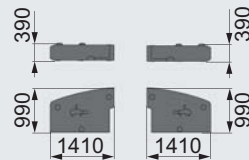
#### Additional Counterweight

**G = 5 t**



#### Add-on Counterweight

**G = 2 x 2.5 t**



#### Central Ballast

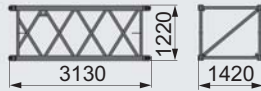
**G = 4 x 1 t**



### Boom Components

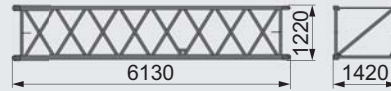
#### Boom Section 3 m

**G = 1 t**



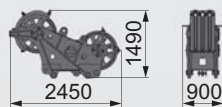
#### Boom Section 6 m

**G = 1.6 t**



#### Roller Head

**G = 2 t**



#### Boom Top

**G = 1.3 t**



**BAUER Maschinen GmbH**  
**BAUER-Strasse 1**  
**86529 Schrobenhausen**  
**Germany**  
**Tel. +49 8252 97-0**  
**bma@bauer.de**  
**www.bauer.de**

Design developments and process improvements may require the specification and materials to be updated and changed without prior notice or liability. Illustrations may include optional equipment and not show all possible configurations. These and the technical data are provided as indicative information only, with any errors and misprints reserved.