

PRODUCT NEWS

Parts & Service



CASING DRIVE ADAPTER Ø 620 MM INNER STOP RING CASING DRIVE ADAPTER Ø 620 MM

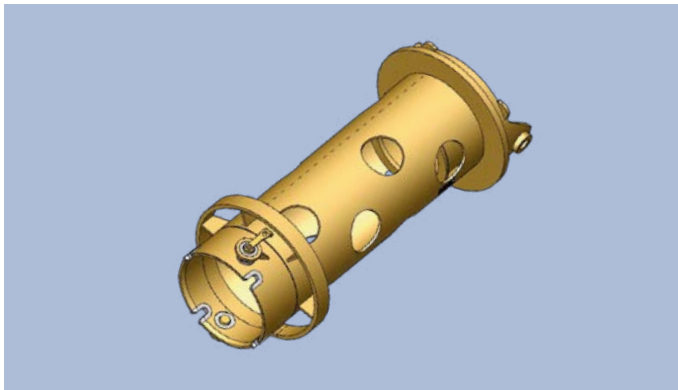


Figure 1: Casing drive adapter Ø 620 mm

Part No.:

1405297

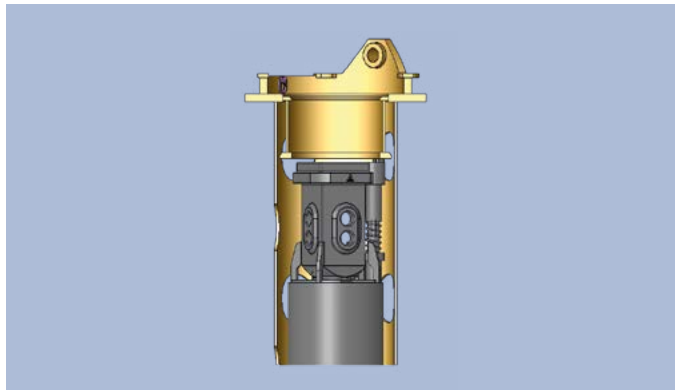


Figure 2: Detail view of stop, opening rod bucket inside casing drive adapter

Part No.:

1349675

DESCRIPTION

Standard Bauer casing drive adapters are suitable for outer Kelly pipes with a diameter of 419 mm. When using a standard casing drive adapter diameter 620 mm and a drilling tool diameter 520 mm, the automatic opening via the casing drive adapter by means of the opening rod at the bucket is not possible anymore. Emptying the drilling tool can only be effected manually.

For an automatic opening of the drilling bucket even with Kelly bars with outer diameters of less than 419 mm, we can now offer a new 620 mm casing drive adapter as well as a stop ring for retrofitting existing 620 mm casing drive adapters.

Thus the usual, automatic opening of the drilling bucket is still possible by means of the opening rod inside the casing drive adapter. The use of Kelly bars is hereby limited to a maximum outer diameter of 394 mm.

PARTS

Description	ID No.
Casing drive adapter cpl D: 0620 L: 1900 BK 394	1405297
Inner stop ring casing drive adapter D620/455 w+m	1349675

PLEASE SEND INQUIRIES TO:

BAUER Maschinen GmbH

Business Unit Parts & Service

Product Management Drilling tools and Kelly bars

BAUER-Strasse 1

86529 Schrobenhausen, Germany

Tel.: +49 8252 97-0

E-Mail: BMA-Parts-and-Service@bauer.de

www.bauer.de